



A Regal Brand

Catalog # : 100803.00
Product Type: AC MOTOR
Description:

Model: 100803.00
Stock: Y

Engineering Data

Volts	115	Volts	230	Volts	
F.L. Amps	2.8	F.L. Amps	1.4	F.L. Amps	
S. F Amps		S. F Amps		S. F Amps	

RPM	1625	Hertz	60	TYPE	PN
HP	1/4	Duty	CONTINUOUS		
KW	.187				
Frame	48	Serv. Factor	1.0	Phase	1
Max Amb	40	Design	NO DESIGN CODE	Code	D
Insul Class	B	Protection	AUTOMATIC	Therm.Prot.	7AM035A5
Eff 100%	70	Eff 75%		PF	87
UL	Y-(LEESON UL REC)	CSA	Yes	Bearing OPE	6203
CC Number	EXEMPT	CE	No	Bearing PE	6203
Load Type		Inverter Type		Speed Range	NONE

Motor Wt.	22 LB	Enclosure	TENV	Lubrication	VERIFY
Nameplate	A-92005-6	Mounting	RESILIENT BASE	Rotation	SELECTIVE CCW
Assembly	LO100803	Shaft Dia.	1/2 IN	Ext. Diag.	005109.15
Cust Part No		Outline	031705-550	Ext. Diag2	
Packaging	B	Outline Dash No		Winding	PE484448
Carton Label	Leeson Fan And Blower			GROUP :	3
Iris		Paint	GRAY - LIGHT	Test Card	

Form Factor		RMS Amps		Const Torque	Speed Range
Torque		Peak			
AB Code		Peak@DegC			
Resistance					
Connection					

Rework Status Rework TYPE

Hazardous Loc
Explosion Proof
Class
Class

NONE

Temp Op Code
GROUP
GROUP

Brake Motors
FORCE
VDC
ADC

Brake Coil OHMs @25 C

Performance					
Torque UOM	OZ-FT		Inertia (WK ²)	-1 LB-FT ²	
Torque	12(Full Load)		27(Break Down)	7.5(Pull Up)	8(Locked Rotor)
CURRENT (amps)	1.4(Full Load)		0(Break Down)	0(Pull Up)	5(Locked Rotor)
Efficiency (%)	0(Full Load)		67.2(75% Load)	58.1(50% Load)	40.7(25% Load)
PowerFactor	0(Full Load)		83(75% Load)	76(50% Load)	64.7(25% Load)

Load Curve Data @60 HzVolts, 1/4Horsepower

Load	Amps	KW	RPM	Torque	Eff	PF	Rise By Resis	Frame Rise
0.0	0.7	0.076	1798	0.0	0.0	47.2	0.0	-
0.25	0.78	0.116	1771	3.0	40.7	64.7	0.0	-
0.5	0.91	0.16	1745	6.0	58.1	76.0	0.0	-
0.75	1.1	0.21	1715	9.26	67.2	83.0	0.0	-
1.0	1.33	0.267	1679	12.56	70.1	87.3	0.0	-
1.25	1.62	0.334	1634	16.17	70.3	89.6	0.0	-
1.5	2.0	0.417	1571	20.14	67.4	90.7	0.0	-

SOURCE: CALCULATED GROUP: 3

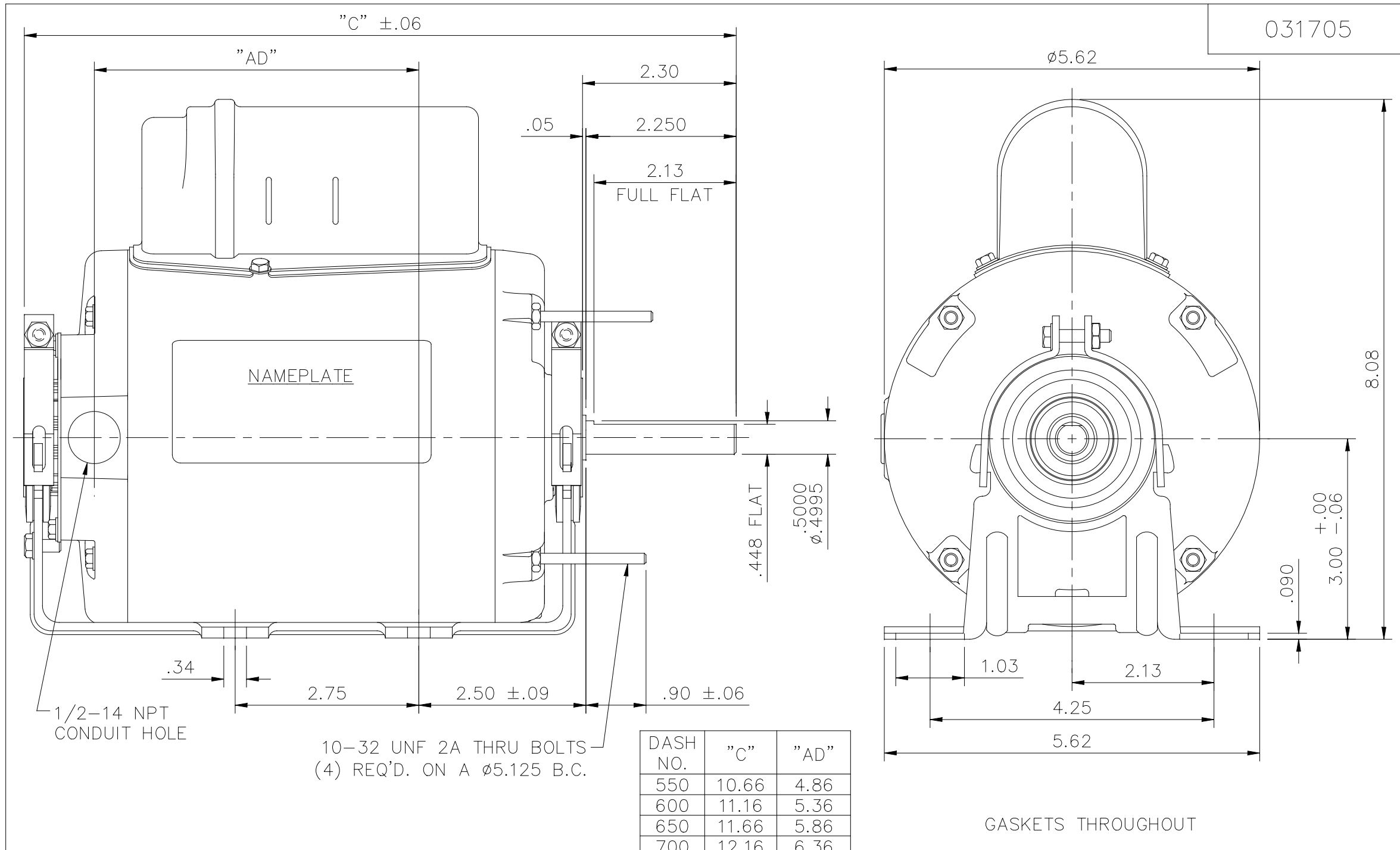
Load Curve Data @60HzVolts, 1/4Horsepower

Load	Amps	KW	RPM	Torque	Eff	PF	Rise By Resis	Frame Rise
------	------	----	-----	--------	-----	----	---------------	------------


Load Curve Data Not Available

Quote: Price:

Date: 11/15/2017

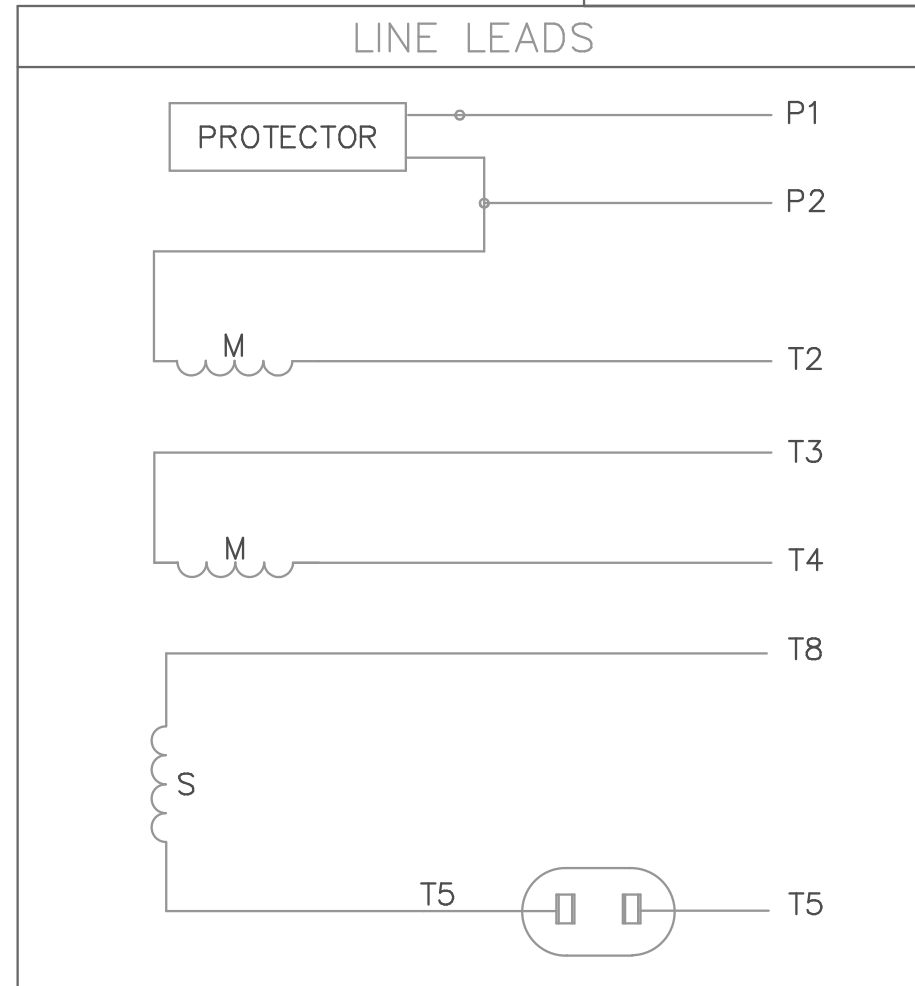
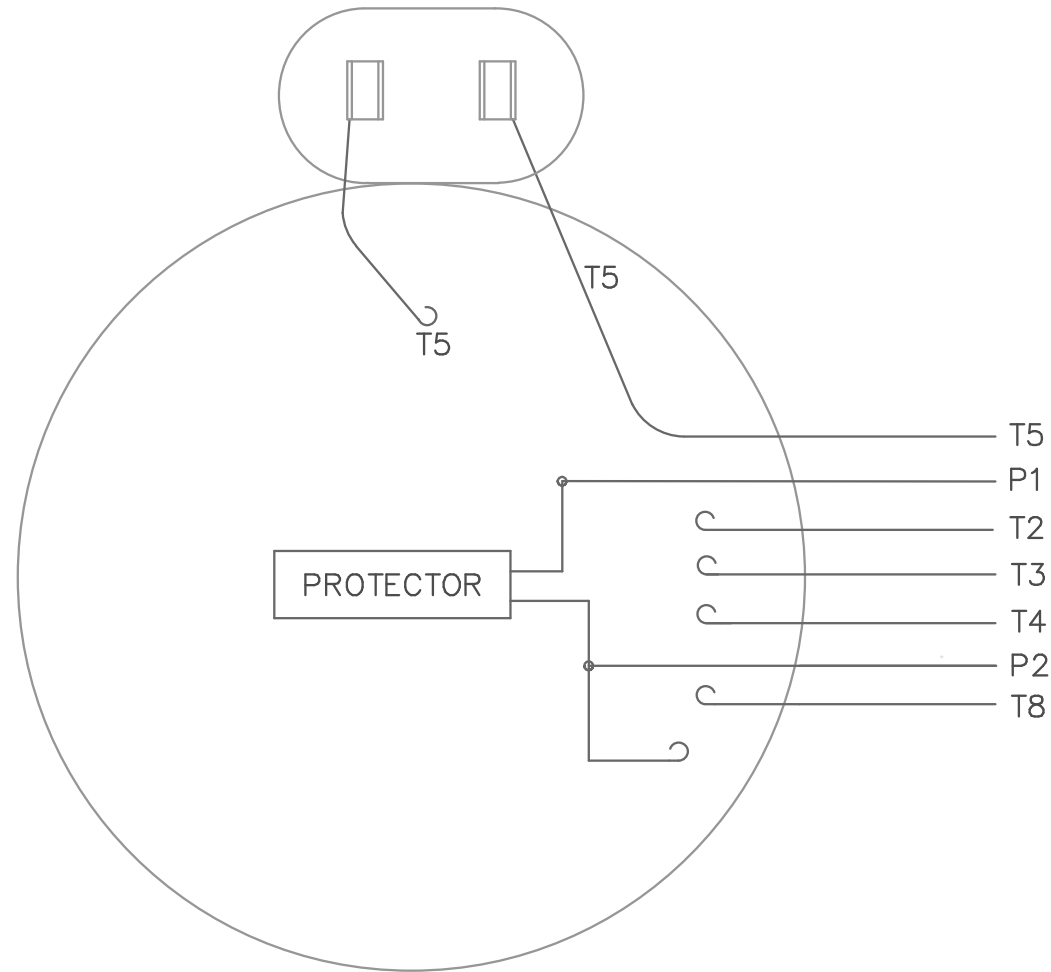


031705

			TOLERANCES UNLESS SPECIFIED		 ELECTRIC MOTORS GEARMOTORS AND DRIVES	DRAWN PG 7/24/02
			DEC.	INCHES		CHK
			.X	±.1		APPD
			.XX	±.03		SCALE 1=2
			.XXX	±.005		REF 031079
01	RESILENT SCREW REVERSED AS PER ECO-0102363	KK 5/17/16	KK	.XXXX ±.0005	MAT'L.	FMF 100804.00
NO.	REVISION	BY & DATE	CHK	ANG ±1/2'	FINISH	PREV
THIS DRAWING IN DESIGN AND DETAIL IS OUR PROPERTY AND MUST NOT BE USED EXCEPT IN CONNECTION WITH OUR WORK ALL RIGHTS OF DESIGN AND INVENTION ARE RESERVED THIS IS AN ELECTRONICALLY GENERATED DOCUMENT - DO NOT SCALE THIS PRINT			RFP	CAD FILE	031705	SIZE A
			DIST			DRAWING NO. 031705
						REV. 01

005109-15

VIEW FROM OUTSIDE OF MOTOR AT SWITCH END.



	ROTATION FACING LEAD END	L1	L2	JOIN	INSULATE SEPARATELY
HIGH VOLT	C.C.W.	P1	T4 T5	T2,T3 T8	P2
	C.W.	P1	T4 T8	T2,T3 T5	P2
LOW VOLT	C.C.W.	P1	T2,T4 T5	P2,T3 T8	--
	C.W.	P1	T2,T4 T8	P2,T3 T5	--

TOLERANCES UNLESS SPECIFIED	
DEC.	INCHES
.X	±.1
.XX	±.01
.XXX	±.005
.XXXX	±.0005
ANG	±1/2°



ELECTRIC MOTORS
GEARMOTORS
AND DRIVES

TITLE
EXTERNAL WIRING DIAGRAM
TYPE "P" W/PROTECTOR

MAT'L. DECAL - 004011

FINISH

DRAWN	PG 3/4/02
CHK	
APPD	
SCALE	1=1
REF	005109-01
FMF	102675
PREV	

NO.	REVISION	BY & DATE	CHK	ANG	±1/2°	FINISH	RFP	CAD FILE	00510915	SIZE	DRAWING NO.	REV.
										A	005109-15	

THIS DRAWING IN DESIGN AND DETAIL IS OUR PROPERTY AND MUST NOT BE USED EXCEPT
IN CONNECTION WITH OUR WORK ALL RIGHTS OF DESIGN AND INVENTION ARE RESERVED
THIS IS AN ELECTRONICALLY GENERATED DOCUMENT - DO NOT SCALE THIS PRINT