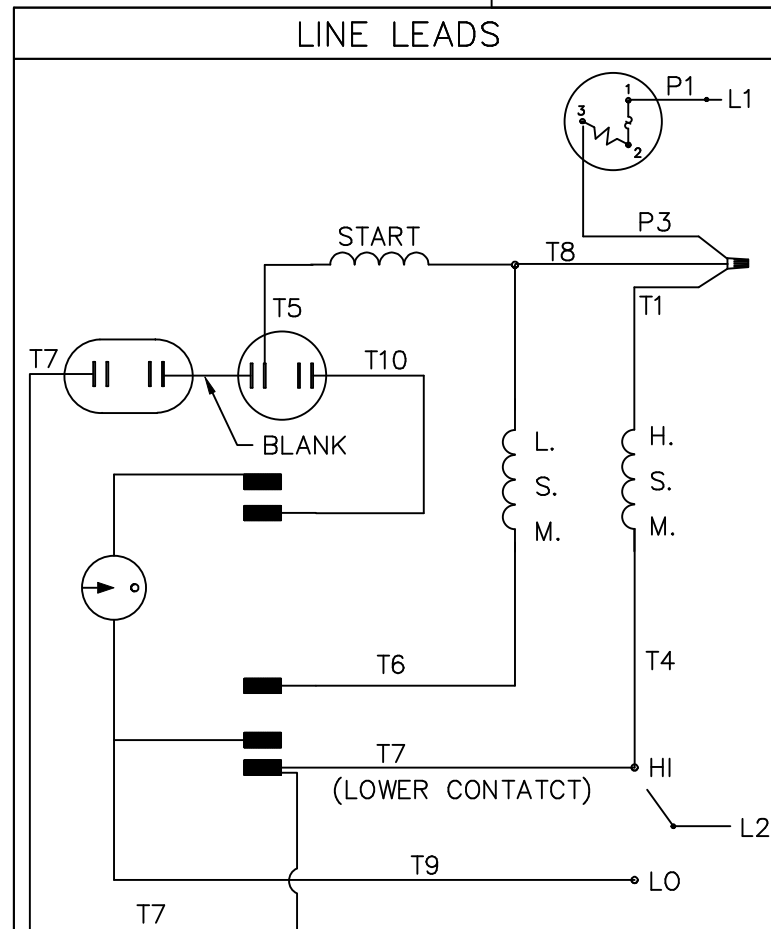
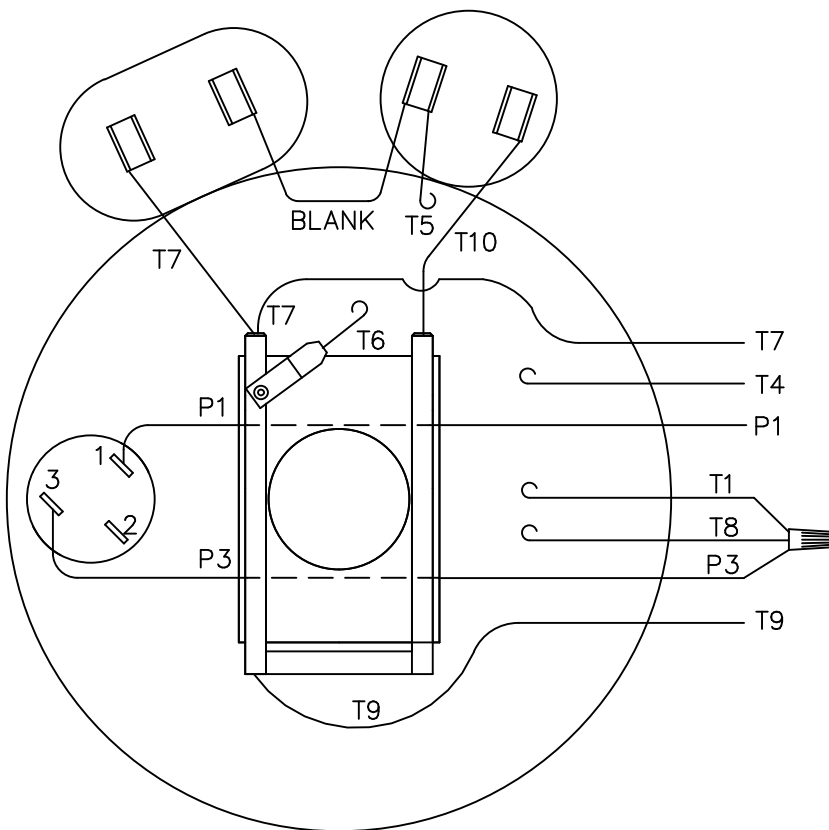


VIEW FROM OUTSIDE OF MOTOR AT SWITCH END.



ROTATION FACING LEAD END	L1	L2		JOIN & INSULATE
		HI SPEED	LOW SPEED	
C.C.W.	P1	T4,T7	T9	P3,T1,T8
C.W.	P1	T1,T7	T9	P3,T4,T8

				TOLERANCES UNLESS OTHERWISE SPECIFIED		LEESON ELECTRIC CORPORATION			
				DECIMALS					
				.00	± .01	DRAWN PG 03/19/84	TITLE EXTERNAL WIRING DIAGRAM TYPE "K" W/PROTECTOR		
05	CCW LOW SPEED WAS T1,T7, CW HIGH WAS T9	DBT	10/22/97	.000	± .005	CH'K'D. TEM			
04	REDRAWN ON CAD	DBT	06/09/97	.0000	± .0005	APPR. 03/29/84	MAT'L. DECAL - 004116 SINGLE VOLT - DUAL ROT. - DUAL SPEED		
NO.	REVISION	BY	DATE	FRACTIONS	± 1/64	SCALE 1=1			
THIS DRAWING IN DESIGN AND DETAIL IS OUR PROPERTY AND MUST NOT BE USED EXCEPT IN CONNECTION WITH OUR WORK ALL RIGHTS OF DESIGN AND INVENTION ARE RESERVED				ANGLES	± 1/2°	REF. 005122	FINISH AGRI	SIZE A	DRAWING NO.
				INCH/MM		FMF 84446N1	SALES	A	005209-01